

NOTE: This installation is to be completed by an Authorized Dealer or Professional Service Technician. For questions regarding installation or warranty, call CDI Tech Support at 866-423-4832. **Do not return to the Dealer or Distributor where the part was purchased. Contact CDI Electronics Directly for Return Material Authorization.**

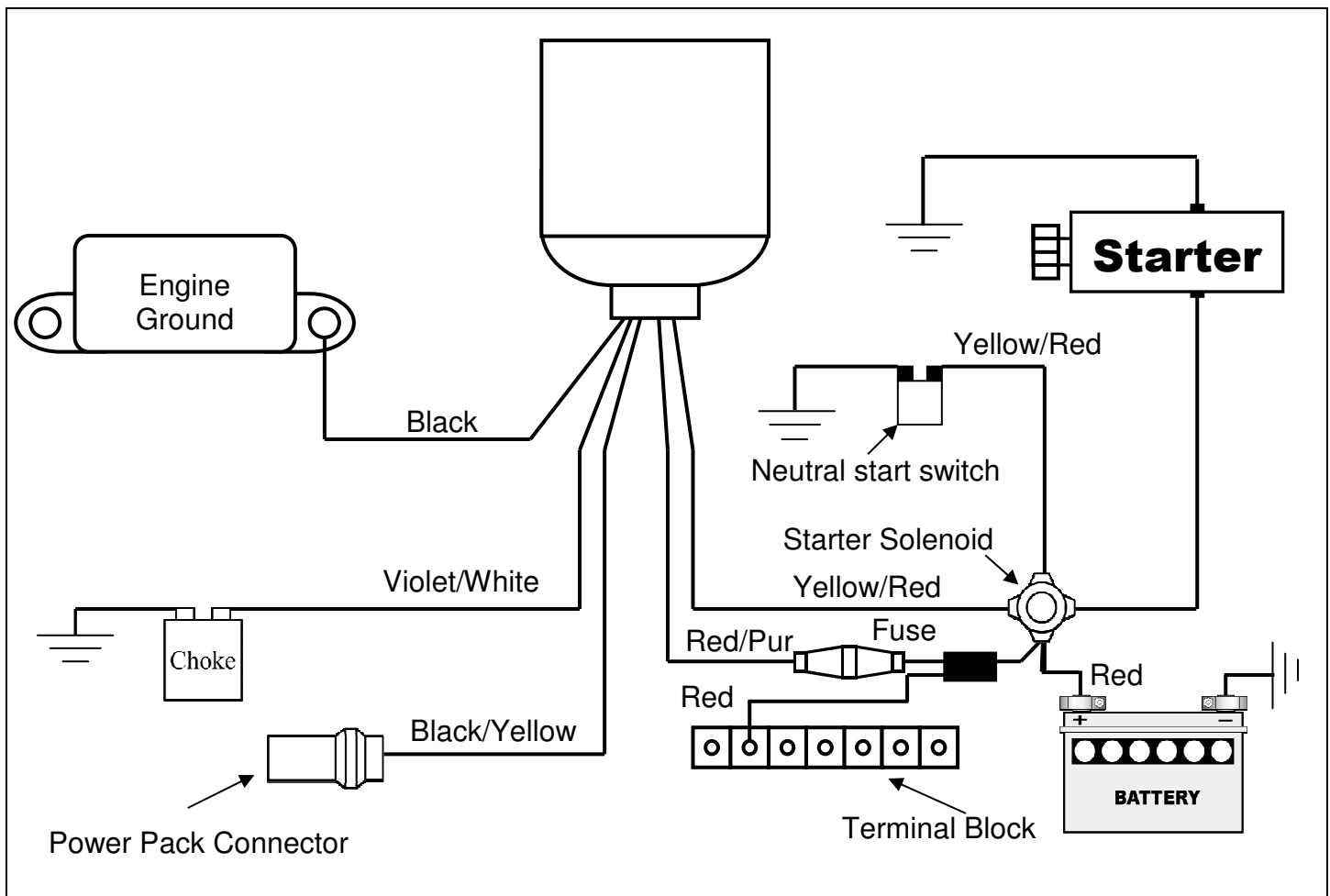
CDI P/N 413-1818 Wiring Harness 2 Cyl.

This harness will replace P/N's: 391818

WARNING! This product is designed to be installed by a professional marine mechanic. CDI Electronics cannot be held liable for injury or damage resulting from improper installation, abuse, neglect or misuse of this product.

INSTALLATION

1. Disconnect battery.
2. Remove original wiring harness. Be sure to make note of wire routing.
3. With old wiring harness removed clean all connection points to verify good connection of new wiring harness.
4. Install new wiring harness in the same position as original wiring harness.
5. Install a 20 AMP fuse in the Yellow fuse holder.
6. Verify proper placement of all wires. Reconnect battery.
7. Wire color chart.
 - A) **Red/Purple or Red/Blue**- Comes from the harness's fuse holder, providing fused 12V to ignition key switch
 - B) **Red**- Battery cable side of starter solenoid, splits out to harness's fuse holder and terminal block then to rectifier
 - C) **Yellow/Red or White**- Switched power to starter solenoid activation
 - D) **Black**- Ground wire, mounts to Ignition Coil mounting bolt
 - E) **Black/Yellow**- Plugs into Power Pack connector
 - F) **Violet/White**- Choke solenoid



Installation and Troubleshooting Guide

NOTE: This installation is to be completed by an Authorized Dealer or Professional Service Technician. For questions regarding installation or warranty, call CDI Tech Support at 866-423-4832. **Do not return to the Dealer or Distributor where the part was purchased. Contact CDI Electronics Directly for Return Material Authorization.**

