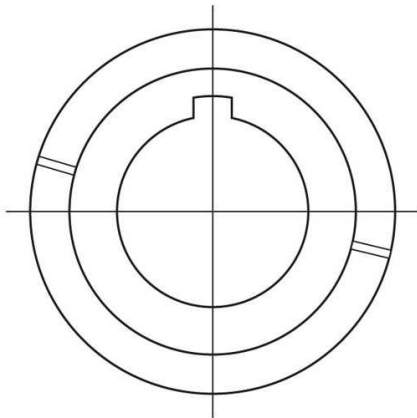


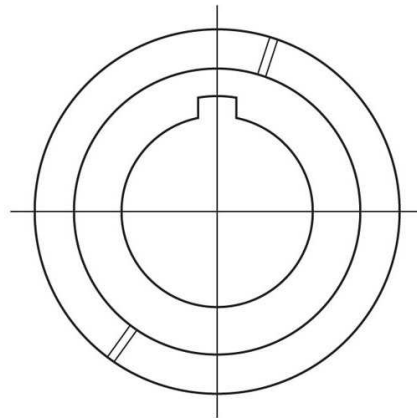
## JOHNSON/EVINRUDE Flywheel Trigger Magnet Location

This drawing is to be used to determine if the flywheel sensor magnet has moved from it's original location only.

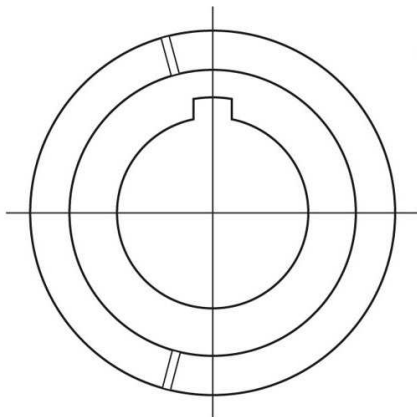
2 Cyl Loop Charged



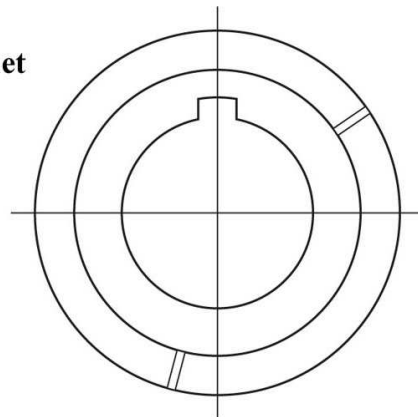
V4 Cross-Flow



V4 & V6 Loop Charged  
1986-1987

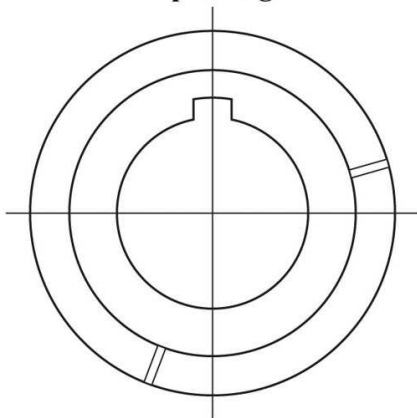


150/175 V6 Cross-Flow 1988-1992



Flywheel  
Triggering Magnet  
Locations

185/200/225 V6 1988-2001  
Loop Charged



V4 & V8 Loop Charged  
1988-1999

